

FLUSH MOUNT GARAGE DOORS



Scan Me
to see a video
of this door.

Sectional Flush Mount Door with vertical clad western red cedar

Steel-Line's flush mount garage door blends in your facade with the cladding of your choice to create a seamless appearance to the front of your home. Flush Mount means the surface of the garage door and the external wall surrounding it are on the same plane.

The flush mount garage doors are suitable to take up to a total weight (frame + cladding) of 175kg for tilt doors, and 250kg for a sectional door. They can be clad with the building's exterior materials, including timbers, composite timbers, metal, aluminium composite panel, acrylic, to name a few. The integrated cladding materials make the door appear to be part of the building's wall system, or make a statement with your personal moving work of art. You will only notice it when the door is open. They are perfect for an architecturally designed buildings giving the exterior cladding a continuous look and essentially making the door invisible.

The benefits of flush mount garage doors:

- Beautiful seamless integration with a hidden garage appearance for a sleek aesthetic
- A wide range of cladding materials chosen by builders or clients
- Designed for total weights (frame + cladding) up to 175kg for tilt doors, and 250kg for a sectional door.
- Durable and easy to maintain
- Sectional door or tilt door style option

Note: The flush mount garage doors are made to order. The builder or project manager must take responsibility for the supply and installation of the cladding on site. Steel-Line manufactures and installs the garage door frame (sectional or tilt door) based on size, colour and cladding specifications supplied by the builder or project manager.





Flush Mount Tilt Door in Zinc Finish



Flush Mount Tilt Door in UniCote LUX Ashwood



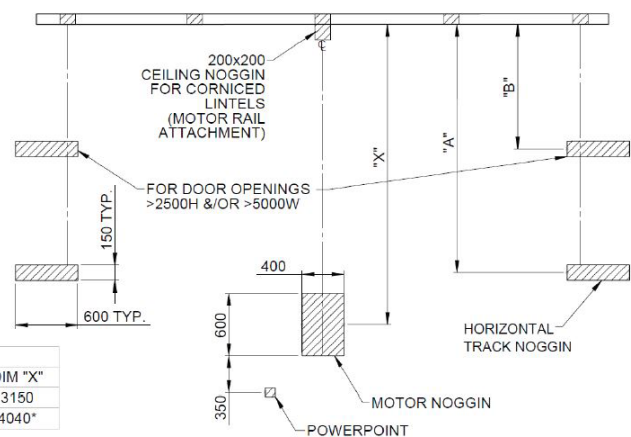
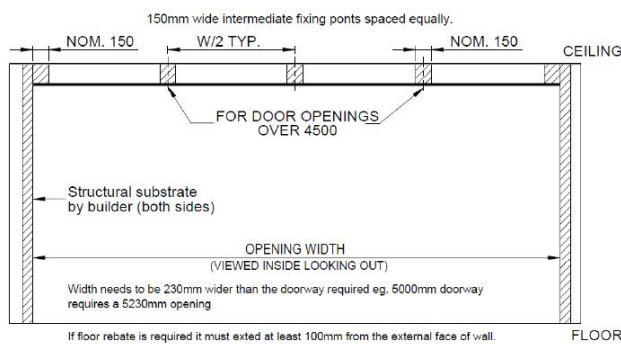
Flush Mount Tilt Door fitted with vertical aluminium batten in DecoWood



Flush Mount Tilt Door with a Ply Finish

Technical Diagrams

Structural fixing detail for door openings



TRACK NOGGINS		
OPENING HT.	DIM "A"	DIM "B"
TO 2580H	2400	1200
2585 TO 3415	3000	1500

MOTOR NOGGINS			
MODEL	OPENING HT.	DIM "X"	
SD800	TO 2500	3150	
MS105	2505 TO 3400	4040*	

NOTE: FOR OTHER OPERATOR PLEASE CHECK MANUFACTURER'S MANUAL.
*WITH 1m RAIL EXTENSION

Proudly distributed by:

DYNAMIC™
DOOR SERVICE